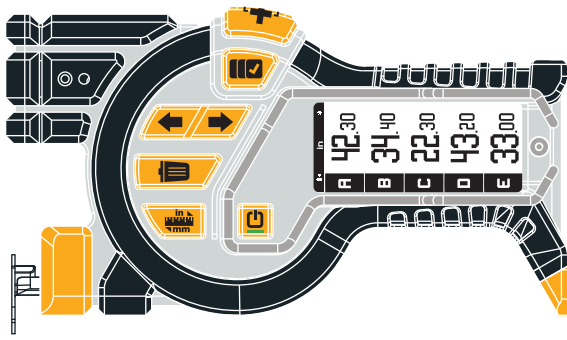


QUICK START GUIDE



T1 TOMAHAWK

NOTE: Appearances, features, and functionality may vary from the written instructions based on updates made to device software. Please visit our website for latest information and additional details.

DASHING ON OLED

Dashing on the OLED display is a feature of the T1 Tomahawk to prevent showing an incorrect measurement on the display. Seeing dashes is a normal part of the T1 operation and part of the robust error-checking redundancy features built into the T1 encoding system.

Dashing may appear during initial startup, routine use, or other conditions. To relocate the position on the T1, slowly extend and retract the tape measure blade. The T1 will quickly locate where it is and display a measurement on the screen.



NOTE: Slowly extend and/or retract the tape measure blade to allow the T1 to locate its position.

AUTOLOCK

By default the tape blade will not retract unless the Autolock button is depressed. The user can enable / disable this feature by sliding the Autolock selection slider upwards / downwards as shown.

SLIDE DOWN
AUTOLOCK
ENGAGED

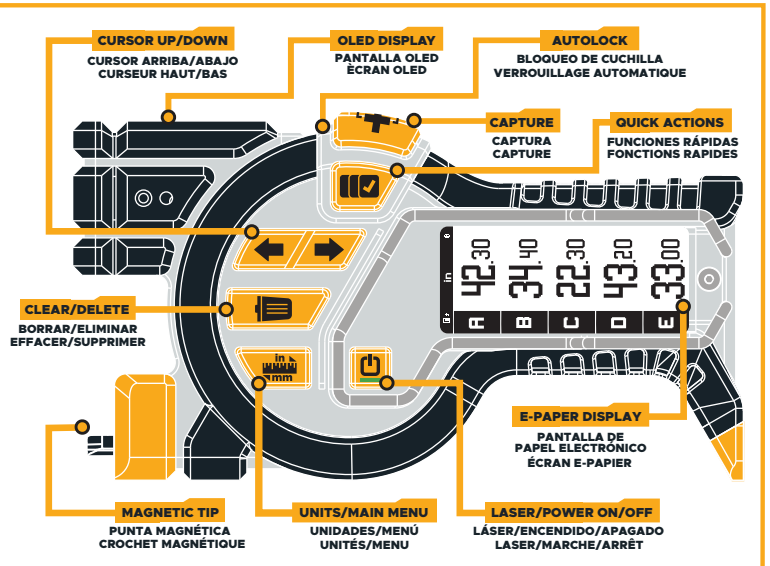


SLIDE UP
AUTOLOCK
DISENGAGED



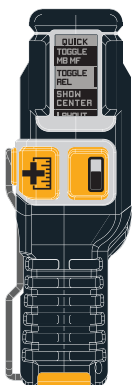
DIAGRAM

- CAPTURE:**
Saves measurement to E-Paper Display and ROCK app (if connected).
- QUICK ACTIONS MENU:**
Select from a series of measuring functions.
- CURSOR UP/DOWN:**
Moves cursor up and down on E-paper Display or in Quick Actions Menu.
- CLEAR/DELETE:**
Quick press will delete measurement on E-Paper Display that is highlighted or provide options for mass deletion.
- UNITS/MAIN MENU:**
Quick press will rotate between units. (Press and Hold: Will enter Main Menu options).
- LASER/POWER ON/OFF:**
Quick press will toggle Laser on/off (Press and Hold: Will turn device on/off).



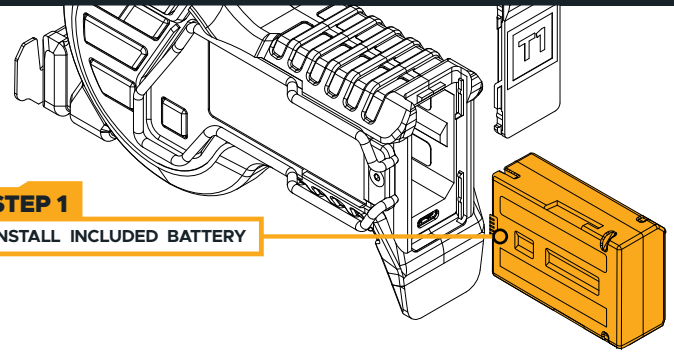
OLED - QUICK ACTIONS

The Quick Actions Menu on the T1 gives you access to helpful settings that you can enable / disable as needed.



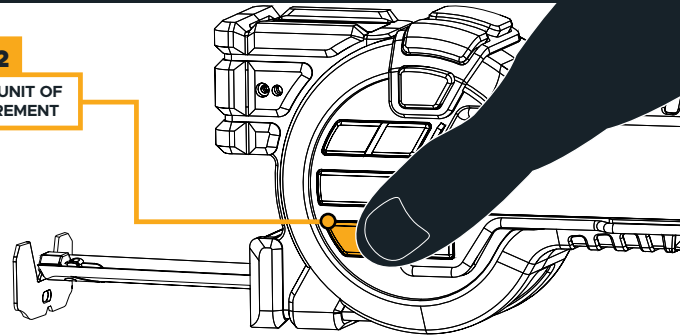
- EXIT** - Exits to live view measurement mode.
- TOGGLE MB MF** - Toggles T1 between inside and outside measurements.
- TOGGLE REL** - Switch between absolute and relative measuring mode.
- SHOW CENTER** - Quickly locate center (or half) of a measurement.
- LAYOUT GUIDE** - Allows for quick incremental measurement.
- FLIP SCREEN** - Flips screen for easy viewing when inverted.
- CLEAR ALL** - Removes all active measurement modes selected.

SETUP

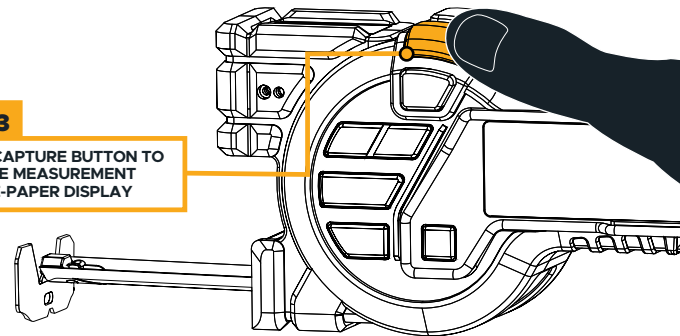


STEP 1
INSTALL INCLUDED BATTERY

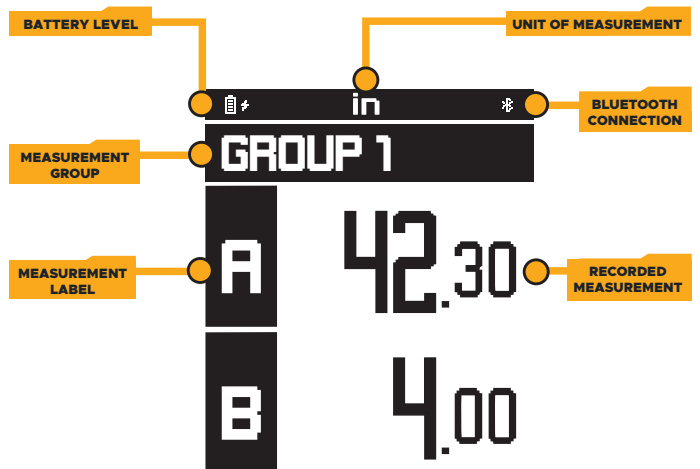
STEP 2
SELECT UNIT OF MEASUREMENT






STEP 3
PRESS CAPTURE BUTTON TO SAVE MEASUREMENT TO E-PAPER DISPLAY



E-PAPER DISPLAY



QUICK ACTIONS NAVIGATION

- Press  until you see the Quick Action Menu popup on the OLED Display.
- Using the  arrows, highlight the quick action you would like to use.
- Press  to make your selection and exit.

NOTE: You can select multiple Quick Actions to use at once. To turn off a quick action recently used, repeat steps 1-3.



TOGGLE MEASURE FRONT/BACK

The T1 can measure either from the front reference surface or from the back of the T1. Measuring from the back allows the T1 to capture internal measurements effortlessly.

QUICK ACTION

OLED DISPLAY

EXAMPLE

**TOGGLE
MB MF**



NOTE: To confirm that you are using the MEASURE BACK Quick Action, look for the bracket on the right side of the OLED Display. No bracket means you are in the default mode using MEASURE FRONT Quick Action.

TOGGLE RELATIVE

The T1 can toggle between absolute measurements (how much of the tape blade is extended) or relative measurements (user selects a "0" position at any point along the tape measure).

QUICK ACTION

OLED DISPLAY

EXAMPLE

**TOGGLE
REL**



NOTE: To confirm that you are using the TOGGLE RELATIVE Quick Action, look for the bracket on the left side of the OLED Display.

SHOW CENTER

The T1 can display the center of a given measurement.

QUICK ACTION

OLED DISPLAY

EXAMPLE

**SHOW
CENTER**



NOTE: To confirm that you are using the SHOW CENTER Quick Action, look for the two arrows in the middle of the OLED Display.

CREATE GROUP

Quickly create groups to further organize saved measurements. Groups are automatically imported as tags in the ROCK Jobsite App.

QUICK ACTION

E-PAPER DISPLAY

**CREATE
GROUP**



LAYOUT GUIDE

Layout Guide shows multiples of the currently selected measurements on the E-Paper Display. For example, if you select a 5 inch measurement, the T1 OLED blinks when you reach 5, 10, 15, and 20 inches.

QUICK ACTION

EXAMPLE

**LAYOUT
GUIDE**



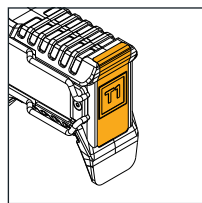
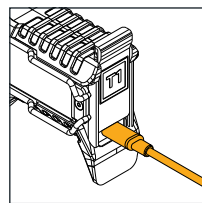
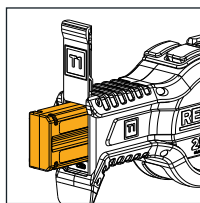
CHARGING THE T1 BATTERY

The T1 is powered by the b1 rechargeable battery pack. To charge the battery of your T1, slide up the Battery Lid located at the back of the device and connect a USB-C cable to a source of at least 1 amp. The T1 takes approximately 2 hours to charge fully, depending on the power source.

STEP 1: Slide the Battery Lid up and insert the battery with the REEKON logo facing right.

STEP 2: Slide the Battery Lid down and leave space to plug in USB-C cable into the provided USB-C port.

STEP 3: Once fully charged, unplug the USB-C cable and slide down the Battery Lid to securely close it.



ROCK JOBSITE APP

With the ROCK Jobsite App, the T1 Tomahawk can send measurements and other data over Bluetooth to any mobile device. The ROCK Jobsite App allows for streamlined measurement organization, sharing, calculations, and other common jobsite functions, all in a centralized, easy to use, mobile application.

Visit: <https://reekon.xyz/rock> to download the app. (available on both iOS and Android)

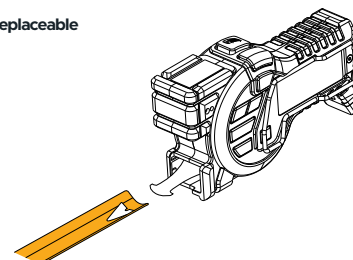


MAINTENANCE OF YOUR T1

There are several adjustable, repairable, and replaceable components of the T1. This includes:

- Tape Measure Blade
- Tape Measure Spring
- Display Protectors
- Reader Module
- Green Laser Module

For complete, step-by-step instructions, go to support.reekon.tools



USER SAFETY

WARNING: To reduce the risk of injury, the user must carefully read the T1 QUICK START GUIDE. The person responsible for the T1 must ensure that all users understand and comply with the instructions.

WARNING: Tape blade is electrically conductive. Do not use near bare wires.

INTENDED USE

DO NOT use under wet conditions or in the presence of flammable liquids or gases. DO NOT replace any component of the T1 Tomahawk with a component that is not supplied by REEKON Tools. DO NOT store or use the tool in locations where the temperature may exceed 104 °F (40°C) or drop below 5°F (-15 °C). Best use in relative humidity conditions of 8% to 80% non-condensing and altitudes no higher than 9,842ft (3,000 m). For best performance operation of the device should take place in cool, dry conditions.

FCC COMPLIANCE

This device complies with part 15 of the FCC Rules. Operation is subject to the following two conditions: (1) this device may not cause harmful interference, and (2) this device must accept any interference received, including interference that may cause undesired operation.

Any Changes or modifications not expressly approved by the party responsible for compliance could void the user's authority to operate the equipment.

NOTE: This equipment has been tested and found to comply with the limits for a Class B digital device, pursuant to part 15 of the FCC Rules. These limits are designed to provide reasonable protection against harmful interference in a residential installation. This equipment generates, uses, and can radiate radio frequency energy and, if not installed and used in accordance with the instructions, may cause harmful interference to radio communications. However, there is no guarantee that interference will not occur in a particular installation.

If this equipment does cause harmful interference to radio or television reception, which can be determined by turning the equipment off and on, the user is encouraged to try to correct the interference by one or more of the following measures:

- Reorient or relocate the receiving antenna.
- Increase the separation between the equipment and receiver.
- Connect the equipment into an outlet on a circuit different from that to which the receiver is connected.
- Consult the dealer or an experienced radio/TV technician for help.

This equipment complies with FCC radiation exposure limits set forth for an uncontrolled environment. The device has been evaluated to meet general RF exposure requirement. The device can be used with minimum distance 0mm between the radiator and your body.

ISED CANADA COMPLIANCE

This radio transmitter has been approved by ISED Canada. This Class B digital apparatus complies with Canadian standard ICES-003. This device complies with ISED Canada licence-exempt RSS standard(s). Operation is subject to the following two conditions: (1) this device may not cause interference, and (2) this device must accept any interference, including interference, that may cause undesired operation of the device.

This equipment complies with ISED radiation exposure limits set forth for an uncontrolled environment. The device has been evaluated to meet general RF exposure requirement. The device can be used with minimum distance 0mm between the radiator and your body.

Le présent appareil est conforme aux CNR d'ISDE Canada applicables aux appareils radio exempts de licence. L'exploitation est autorisée aux deux conditions suivantes : (1) l'appareil ne doit pas produire de brouillage, et (2) l'appareil doit accepter tout brouillage radioélectrique subi, même si le brouillage est susceptible d'en compromettre le fonctionnement.

L'appareil a été évalué pour répondre aux exigences générales d'exposition aux RF. Cet équipement doit être installé et utilisé avec une distance minimale de 0 mm entre le radiateur et votre corps.

TECHNICAL ASSISTANCE & REPAIR

For questions about applications, technical support, repair or more information, please see our website: <https://www.reekon.tools>

